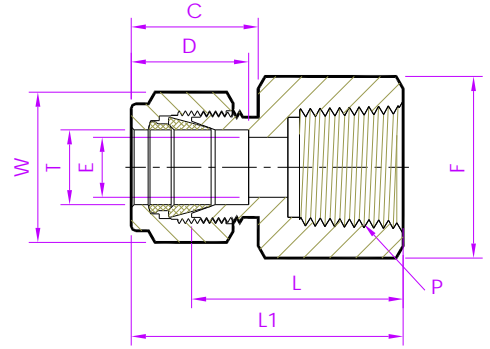


- Tube Fitting (Double Ferrule)-
Tube To Female Pipe Thread



Female Connector

Fractional Tube x ISO Tapered (F)

Tubefit Part No.	Equivalent Part No. Type 1	Equivalent Part No. Type 2	TUBE OD Ø T	ISO Female Pipe Size P	ØE	D	C	L	L1	Body Hex F	Nut Hex W
Dimensions in Inches											
4 - FCD - 2IT	- 400 - 7 - 2RT	4FSC2K	1/4	1/8	0.19	0.60	0.70	1.23	1.23	9/16	9/16
4 - FCD - 4IT	- 400 - 7 - 4RT	4FSC4K		1/4	0.19			1.41	1.41	3/4	
4 - FCD - 6IT	- 400 - 7 - 6RT	4FSC6K		3/8	0.19			1.48	1.48	7/8	
4 - FCD - 8IT	- 400 - 7 - 8RT	4FSC8K		1/2	0.19			1.67	1.67	1.1/16	
6 - FCD - 4IT	- 600 - 7 - 4RT	6FSC4K	3/8	1/4	0.28	0.66	0.76	1.48	1.48	3/4	11/16
6 - FCD - 6IT	- 600 - 7 - 6RT	6FSC6K		3/8	0.28			1.54	1.54	7/8	
6 - FCD - 8IT	- 600 - 7 - 8RT	6FSC8K		1/2	0.28			1.73	1.73	1.1/16	
8 - FCD - 4IT	- 810 - 7 - 4RT	8FSC4K	1/2	1/4	0.41	0.90	0.86	1.59	1.59	13/16	7/8
8 - FCD - 6IT	- 810 - 7 - 6RT	8FSC6K		3/8	0.41			1.65	1.65	7/8	
8 - FCD - 8IT	- 810 - 7 - 8RT	8FSC8K		1/2	0.41			1.84	1.84	1.1/16	

NOTE : 1)The E Dimension is the minimum opening. 2)Dimension L1, C, D is shown in the finger-tight position.
3)Dimensions are for reference only and are subject to change 4)ISO Tapered (BSPT) thread as per BS 21.

- ALL PART NUMBERS ARE PROPRIETARY OF THEIR RESPECTIVE OWNERS. -